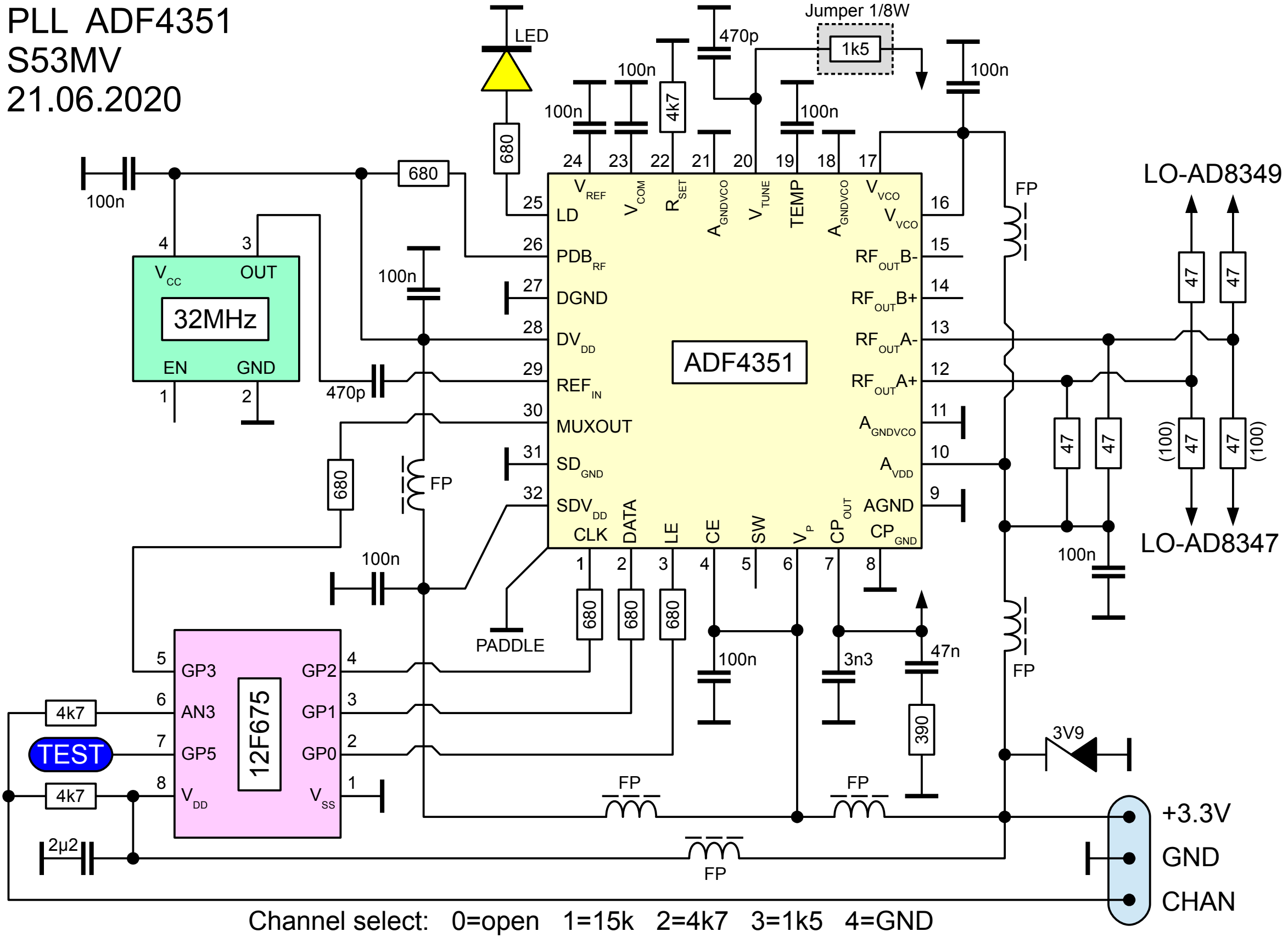


PLL ADF4351
 S53MV
 21.06.2020



Channel select: 0=open 1=15k 2=4k7 3=1k5 4=GND